

Executive Suite for Lease
292 Washington Avenue Extension, Albany, NY 12203

Suite 108 - 907 RSF
\$1,400.00/month



Lease Term

Minimum one (1) year.

Lease price includes utilities, property taxes, building insurance, maintenance, Monday - Friday, 8:00 am to 5:00 pm. housekeeping, Monday - Friday, 5:00 pm to 9:00 pm.

Convenient access to major highways, shopping malls and restaurants.

Private off-street parking available for 43 vehicles.

Peaceful quiet setting near Pine Bush Reserve.

Offered in "as is" condition.



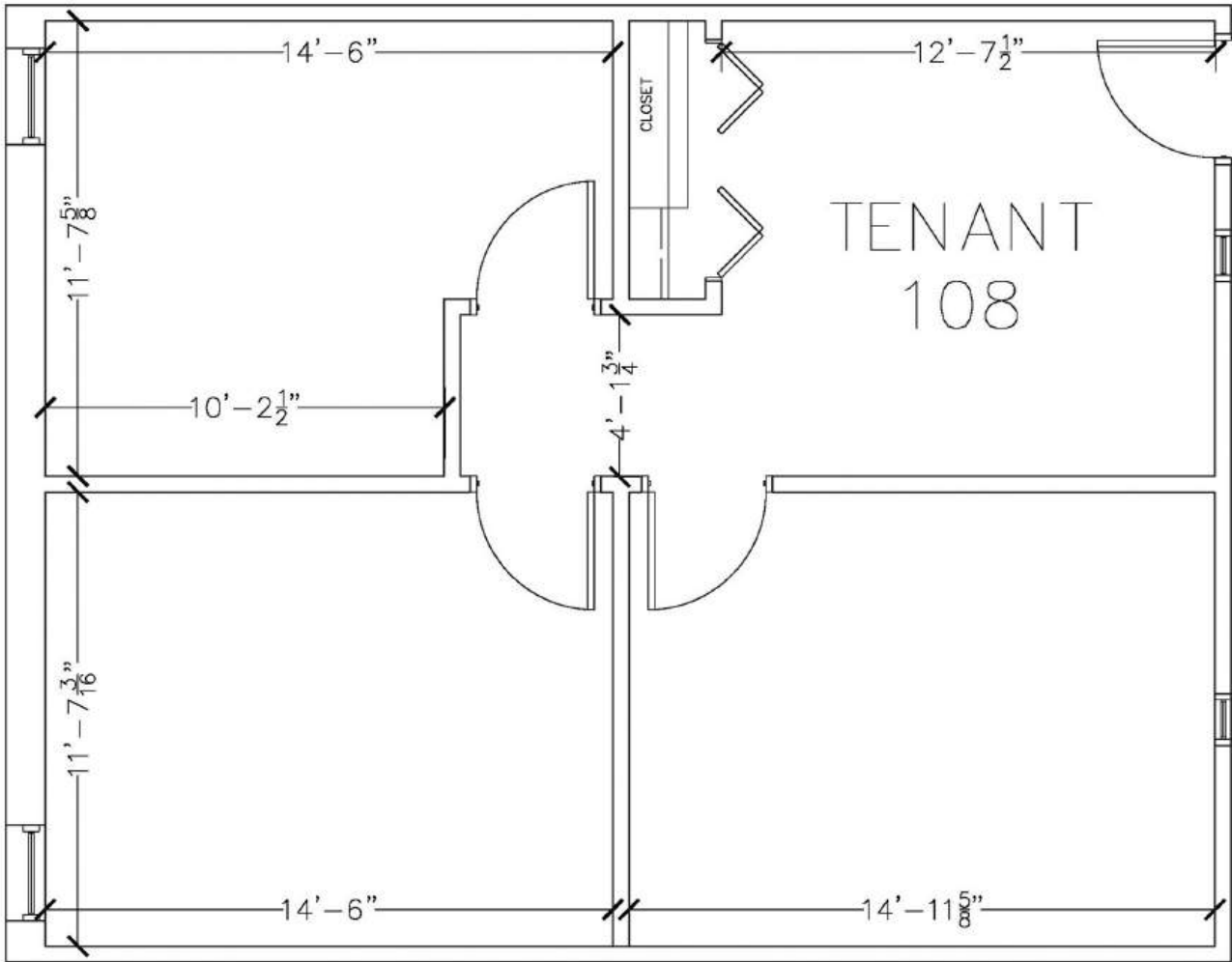
Robert Murphy
Real Estate Sales Person
518 465 1400 ext. 209
RMurphy@naiplatform.com

James "Jay" Verro, CCIM
Associate Real Estate Broker
518 465 1400 ext. 214
JVerro@CCIM.net



NAI Platform
14 Corporate Woods Blvd, Suite 100
Albany NY, 12211
518-465-1400

Floor Plan



Robert Murphy
Real Estate Sales Person
518 465 1400 ext. 209
RMurphy@naiplatform.com

James "Jay" Verro, CCIM
Associate Real Estate Broker
518 465 1400 ext. 214
JVerro@CCIM.net



NAI Platform
14 Corporate Woods Blvd, Suite 100
Albany NY, 12211
518-465-1400



The health of your business is the heart of our business. For more than 50 years, The Anderson Group has provided trusted, respected office and executive suite leasing to businesses in the Capital Region.

Beyond simply renting you a space, we've developed expertise in office space efficiency, productivity and profitability, so we'll work with you to create a work environment that serves you best, now and into the future.

We're happy to lease directly or through a broker. Rest assured that we offer competitive commissions for brokered leases—as well as flexible, custom leases to meet our tenant's needs.



NAI Platform delivers superior results for our clients. We meet and exceed their commercial real estate needs through a team of specialized experts.

Our professionals possess extensive knowledge and experience of the industry's intricate nuances, helping our clients surpass their goals. We deliver a range of diversified services at an unparalleled value.

The Anderson Group
125 Wolf Road Albany, New York 12205
518-458-7726
www.andersonoffices.com